

BASIC INFORMATION

COMPANY:	
Localit:	
Installation Date:	
CONTACT PERSON:	
NUMBER OF PROJECT	

QUESTIONNAIRE FOR SIDEWALL BELT CALCULATIONS

Please, indicate wether the belt you require is:

A BELT FOR REPLACEMENT

A BELT FOR NEW INSTALATION

INSTALLATION RELATED DATA

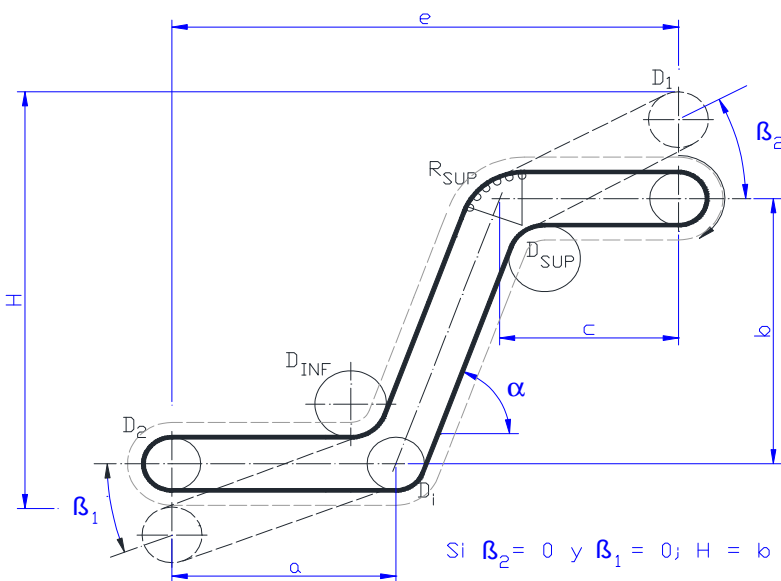
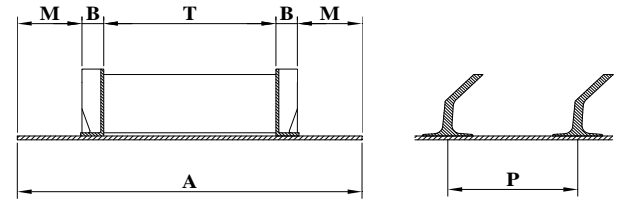
Distance between axles "e"	mts.	
Length of bottom horizontal section "a"	mts.	
Length of top horizontal section "c"	mts.	
Lift height "H"	mts.	
Length of inclined section	mts.	
Angle of inclination α	(°)	
Angle of load β_2	(°)	
Angle of discharge β_1	(°)	
Belt speed	m/s.	

MATERIAL RELATED DATA

Material		
Capacity required	tn/h.	
Maximum grain size	mm.	
Material moisture content	%	
Density	gr/cm3	
Special features		
Temperature	°C.	
Grease or oil presence		
Explosive atmosphere		
Material's natural angle of slide	°.	
Ambient moisture content	%	

BELT RELATED DATA

Belt width "A"	mm.	
Belt type		
Cleat type		
Cleat length "T"	mm.	
Cleat pitch "P"	mm.	
Sidewall type		
Free side insets "M"	mm.	



OTHER CONFIGURATION TYPE

